

Movement by Perfection



The Royal League in **ventilation**, control and drive technology



[Product documentation](#)

Type  
FN040-4EK.2F.V7P1

Article number  
159655

Article number  
159655

# The Royal League Die Königsklasse

## Product documentation

Customer

ZIEHL-ABEGG Contact

Project

ZIEHL-ABEGG Subsidiary  
Brazil  
ZIEHL-ABEGG do Brazil Imp.,  
Exp. e Com. de Equipamentos  
de Ventilação Ltda.  
Rua Osasco, 1.295  
Centro Empresarial Anhanguera  
Cajamar -SP - CEP 07753-040  
BRAZIL  
Phone + 55 11 2898-0827  
[www.ziehl-abegg.com.br](http://www.ziehl-abegg.com.br)  
[info@ziehl-abegg.com.br](mailto:info@ziehl-abegg.com.br)

Type  
FN040-4EK.2F.V7P1

Article number  
159655



## Contents

1.	Rubriküberschrift1 (CB_AF_Headline1)	Erro! Indicador não definido.
----	--------------------------------------	-------------------------------

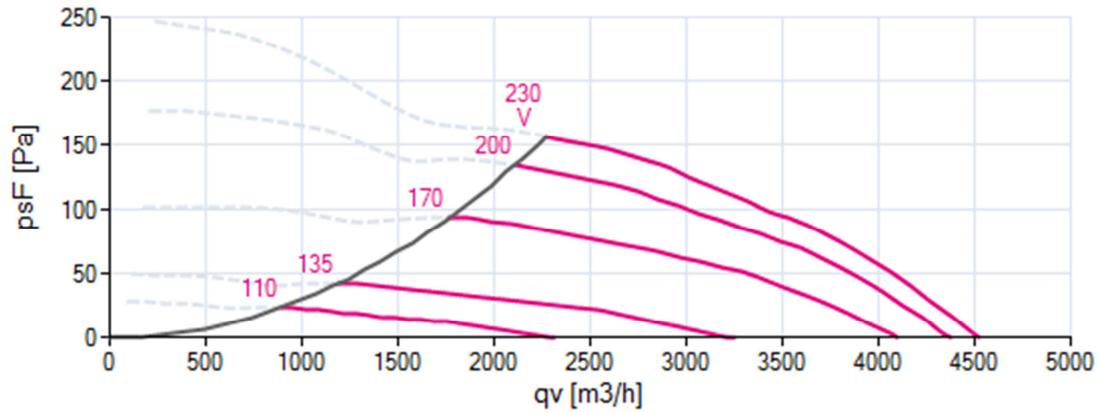
### 1. Product specification

#### Technical data

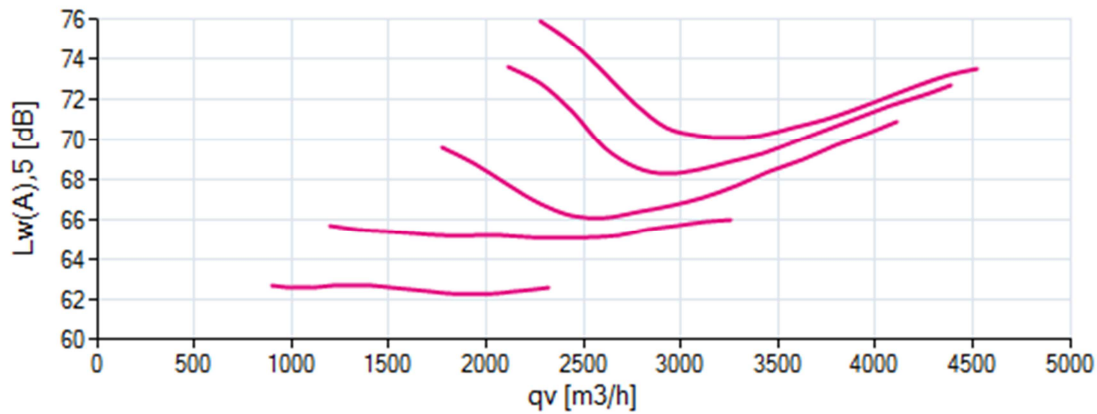
Article number	159655
Type	FN040-4EK.2F.V7P1
Designation	Axial fan with sickle blades
Rated values	1~230V±10% 50Hz P <sub>1</sub> 280W 1.30A ΔI=15% 1380/min 7.0uF/400V 70°C 1~230V±10% 60Hz P <sub>1</sub> 410W 1,80A ΔI=10% 1560/min 7,0uF/400V 60°C
Electrical connection	Terminal box K05
Min. operating temperature °C	-25
Mounting type terminal box	Mounted on Stator
Type of protection	IP54
Thermal class	THCL155
Connection diagram	1360-104XA
Rating plate	1x fixed
Fitting position	H/Vu/Vo
Motor protection	thermal contact
Impregnation	Moisture and hot climate protection
Quality of bearings	ball bearing with long-time lubrication
Material Rotor	Aluminium
Painting rotor	Rotor 1 coat painted
colour rotor	RAL 9005 (jet black)
Material blades	High Performance Composite Material
Painting impeller	unpainted
Colour blades	black
Field of application	Standardanwendung
Guard grille type	ring grill
Other	All connecting elements in stainless steel.
Painting mot.suspens	Motor suspension powder-coated consistency class 2
colour suspension	RAL 9005 (jet black)
Weight kg	6,20
ErP Data	Efficiency $\eta_{\text{statA}}$ : 26,7 % Efficiency: $N_{\text{actual}} = 36,6 / N_{\text{target}} = 36^*$ *ErP 2013Does not comply with the stipulations of the ErP regulations

## 2. Characteristic Curve

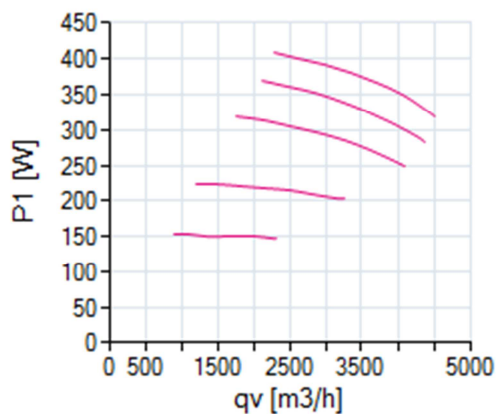
### Air performance



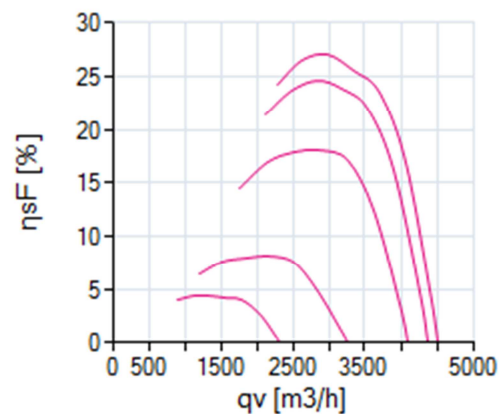
### Acoustics



### Power input



### Efficiency



Please note: It's not allowed to use this fan in the stall area!\*

\*In doubt please ask your responsible ZIEHL-ABEGG sales contact.

### Data of operating point

frequency (f<sub>BP</sub>)

60

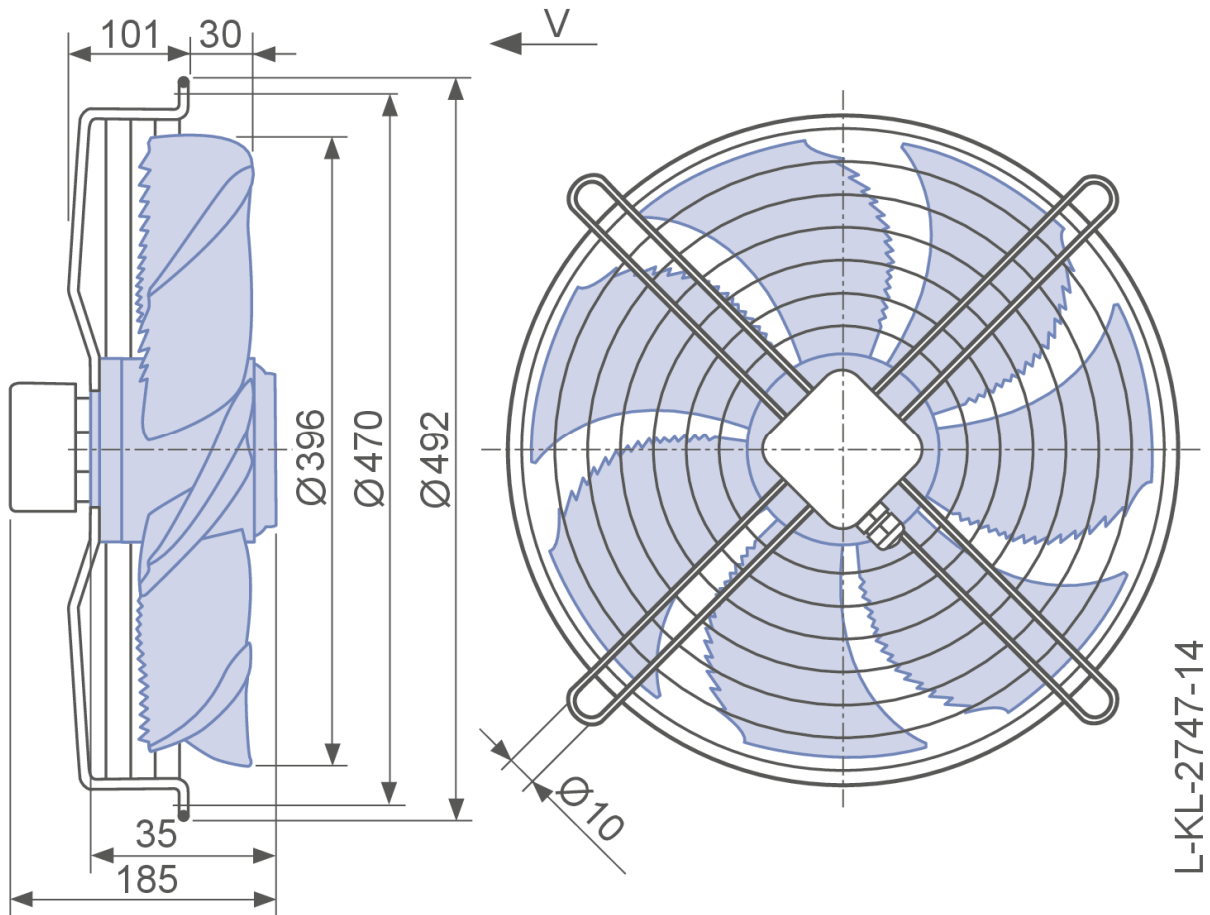
Article number  
159655

# The Royal League Die Königsklasse

mains supply  
guard grille

1~ 230V 60Hz  
no

## 3. Drawing



Dimensions in mm  
Shown drawing is just to show the dimensions of the fan.

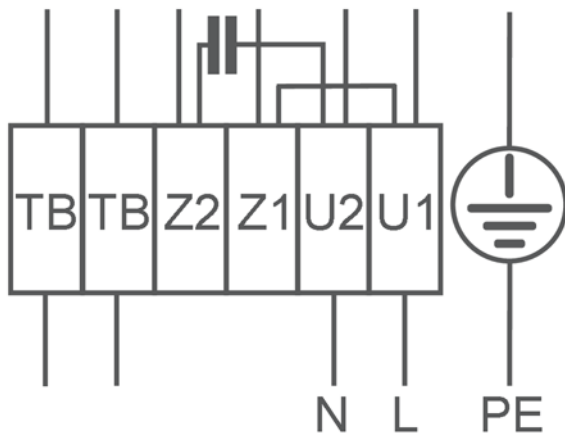
### 4. Connection diagram

#### 1360-104XA

1~Motor with capacitor and thermostatic switch (if built in).

- U1 brown
- U2 blue
- Z1 black
- Z2 orange
- TB white

Clockwise rotation



## 5. EU-Declaration of conformity



The Royal League in ventilation, control and drive technology

## Intelligent control technology for any application

### ZIEHL-ABEGG system capabilities:

Everything from a single source – perfectly matched for optimal performance

Please contact us. We would be pleased to design an individual solution for your requirements.

We would like to welcome you on our worldwide exhibitions. Please find our next exhibitions [here](#).